

Operation:

1. The sprayer is recommended for use in spraying agricultural pesticides, water and other non-flammable liquids. Improper use may cause damage to the sprayer and user.
2. Do not use flammable or corrosive chemicals in the sprayer. Contact factory or agent for suggestions about any uncertain chemicals.
3. Wear protective clothing, eye protection, and chemical resistant gloves when filling, using and cleaning the sprayer.
4. Assemble the sprayer completely with all standard accessories, check and test the sprayer before using.
5. Keep power off before using the sprayer.
6. Never reverse the polarity of battery. Red battery clamp to the positive(+) terminal of the battery, black battery clamp to the negative (-) terminal of the battery.
7. Never touch battery terminals at the same time without insulated tools.
8. Only allow adult to operate the sprayer. Keep the sprayer away from children and pets.
9. Never point the sprayer gun at people or animals.
10. Turn off power, relieve system pressure and fully clean sprayer immediately after use.
11. Do not modify sprayer design randomly.

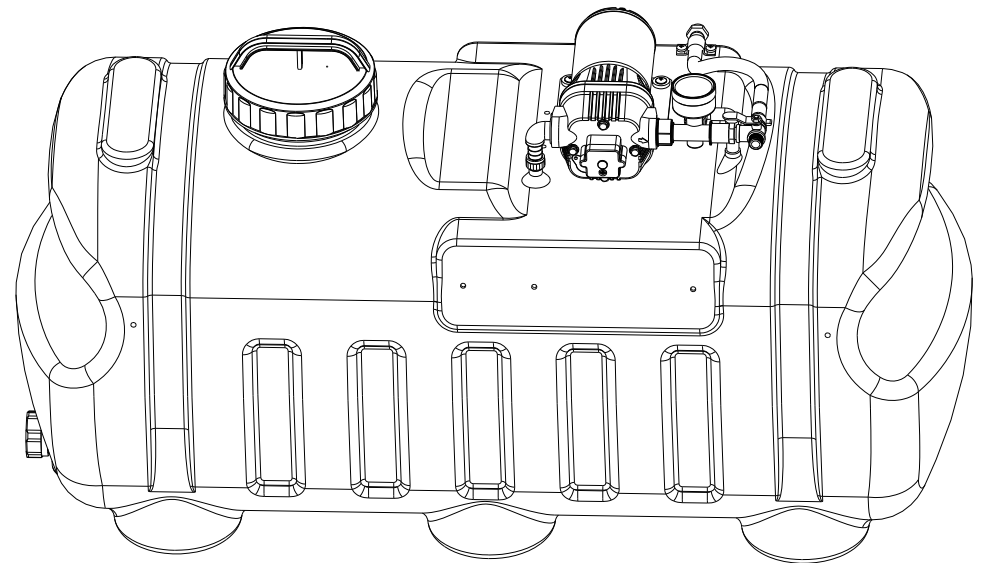
Troubleshooting Guide

Problem	Possible reason	Solution
Pump will not turn on	Bad power connections	Check battery connections
	Short in wires	Check wires
	Motor hooked to battery incorrectly	Ensure red battery clamp to the positive(+) terminal of the battery correct wiring, then remove pump head and tighten offset bearing.
	Problem with pressure switch	Replace pressure switch
No water out from nozzle, Low pressure or Pump does not run stably	Nozzle clogged	Clean nozzle
	Low water or Air in hose	Fill water tank or Purge air from system
	Worn intake hose	Replace intake hose
	Clogged inner filter	Clean inner filter
Low flow	Worn spray gun or Nozzle clogged	Replace spray gun or Clean nozzle
	Clogged suction hose	Remove residues
	Clogged inner filter	Clean inner filter
Water leakage	System leaks	Tighten leaking hose clamps or fittings
	Connections not fully engaged	Tighten hose clamps or fittings
	O-ring not in right position	Check O-ring
Over pressure protection function failure	Worn O-ring	Replace O-ring
	The Damping-plug wasn't placed under pressure gage correctly	Check and replace the Damping-plug correctly
Pump doesn't work stably and make noise	Over flow	Regulate pressure controlled valve

12V DC Electric Sprayer 100L

Owner's manual

WS204D

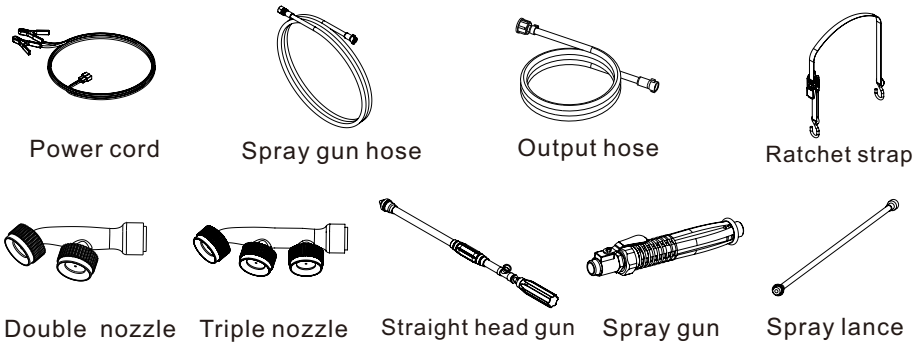


Technical data:

Mode:	WS204D
Capacity:	100L
Hose:	10M
Power supply:	3M wire harness with 12V battery clamps
Pump:	FL-QC12 (12V,12L/Min,100PSI)
Packing dimension:	92X39X51cm

Standard accessories:

Part name	Specification	Number	Part name
Power cord with battery clamps	4.5m	1	WS204D14
Output hose	Φ6XΦ12	1	WS204D15
Spray gun	S1	1	WS204D16
Spray gun hose	6m	1	WS204D17
Spray nozzle	Triple	1	WS204D18
Straight head gun	Adjustable	1	WS204D19 (Selected part)
Ratchet strap		2	WS204D20 (Selected part)
Spray lance	Stainless steel	1	WS204D21
Double nozzle	Double	1	WS204D22
Pressure gage with damping-plug	0~1.6MPa	1	WS204D01



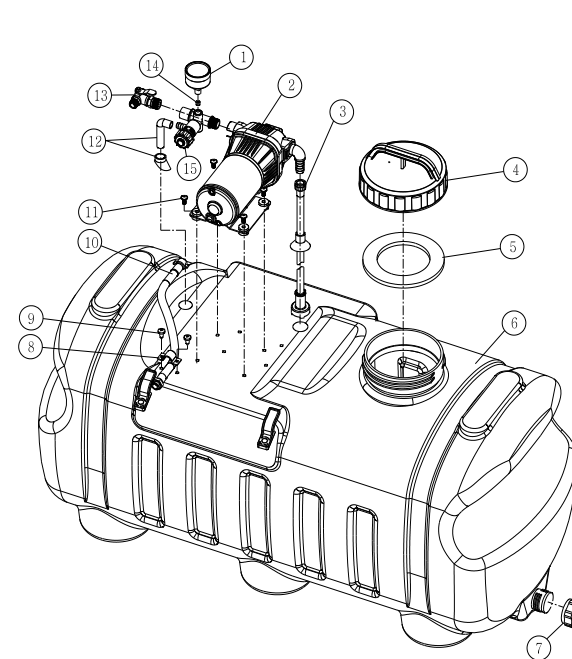
WARNING

Read and understand this owner's manual completely before using this sprayer. Improper use of the sprayer or handling of chemicals could result in serious injury for the user or nearby persons/animals, or cause damage to the environment.

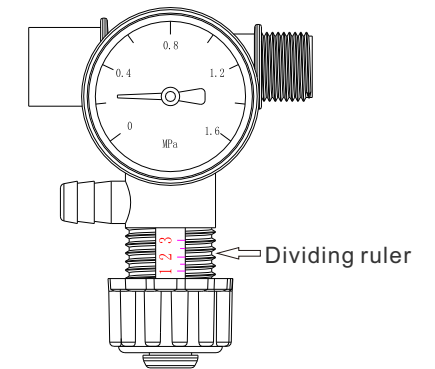
Bill of Materials (BOM)

Parts List							
ITEM	QTY	PART NUMBER	DESCRIPTION	ITEM	QTY	PART NUMBER	DESCRIPTION
1	1	WS204D01	Pressure gage	9	2	WS204D09	TA4*10mm scrow
2	1	WS204D02	CF-QC-12 pump ASS	10	1	WS204D10	Out water pipe ASS
3	1	WS204D03	In water pipe ASS	11	4	WS204D11	PM5*16mm screw
4	1	WS204D04	Water tank cap	12	1	WS204D12	Back water pipe ASS
5	1	WS204D05	Tank cap gasket	13	1	WS204D13	Three links
6	1	WS204D06	Water tank	14	1	WS204D14	Damping-plug
7	1	WS204D07	Tank litte cap	15	1	WS204D15	Pressure controlled valve
8	1	WS204D08	Pipe lock				

Exploded Drawing :



Overflow vale operation :

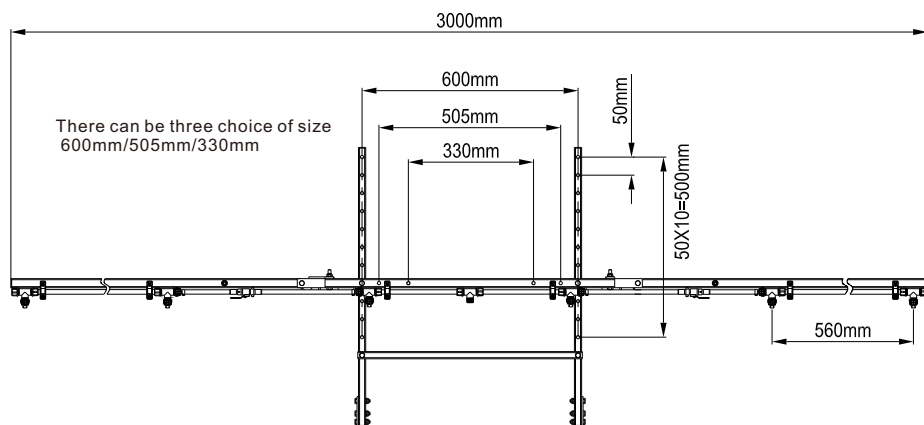


Type	Scale interval
Six nozzles	Valve closed
Four nozzles	2(approx)
Two nozzles	1.5(approx)
Straight head gun	2(approx)
Triple nozzle	1.5(approx)
Double nozzle	1.5(approx)

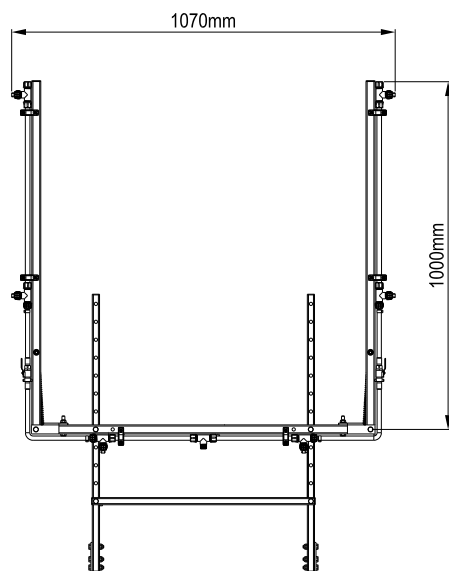
Remark:

Damping-pulg(item 14) must be correctly placed under the pressure gage, otherwise the over pressure protection function will fail.

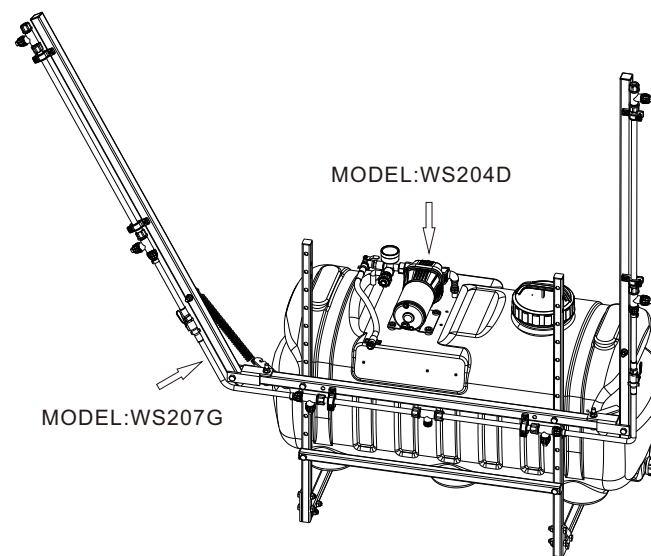
WAY OF USING 1:



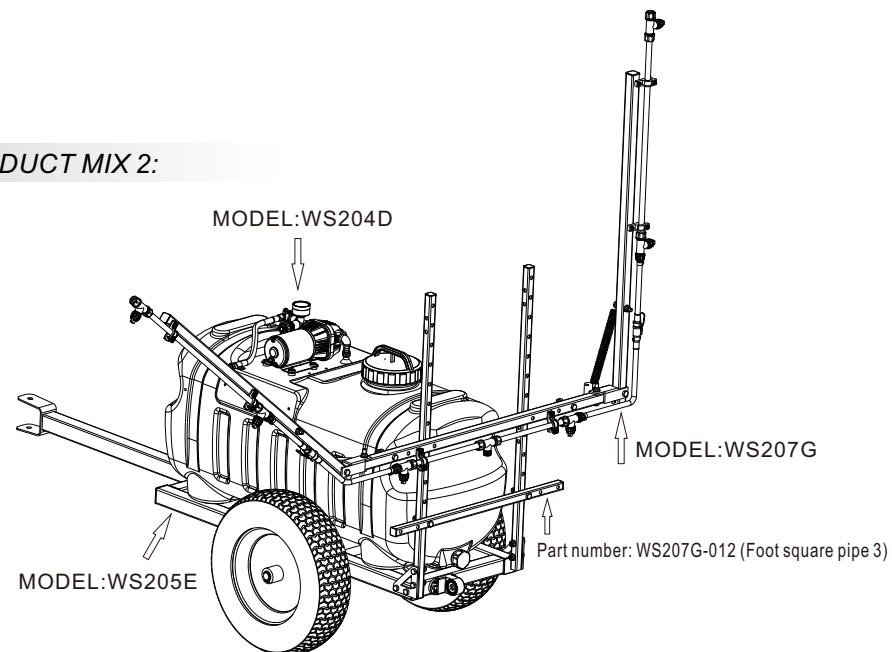
WAY OF USING 2:



PRODUCT MIX 1:

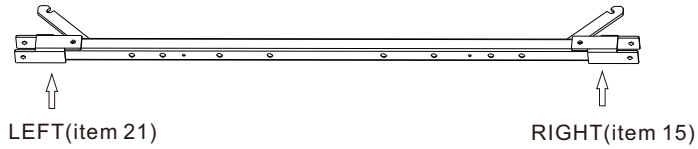


PRODUCT MIX 2:

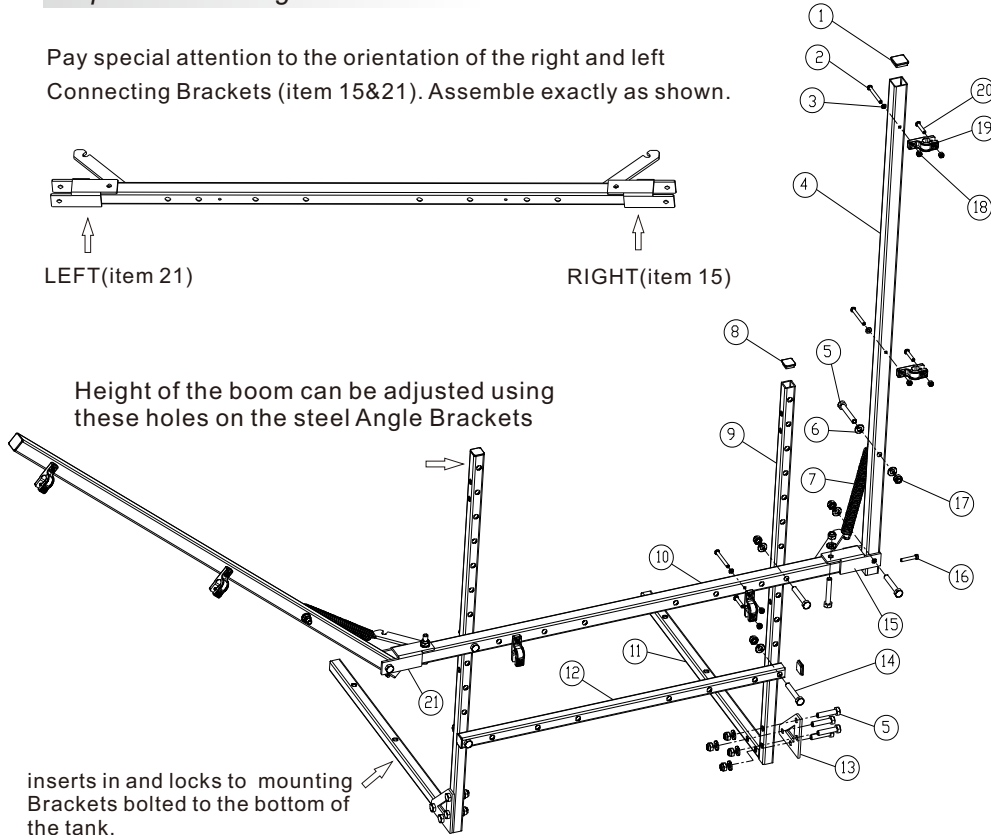


Exploded Drawing 1:

Pay special attention to the orientation of the right and left Connecting Brackets (item 15&21). Assemble exactly as shown.



Height of the boom can be adjusted using these holes on the steel Angle Brackets

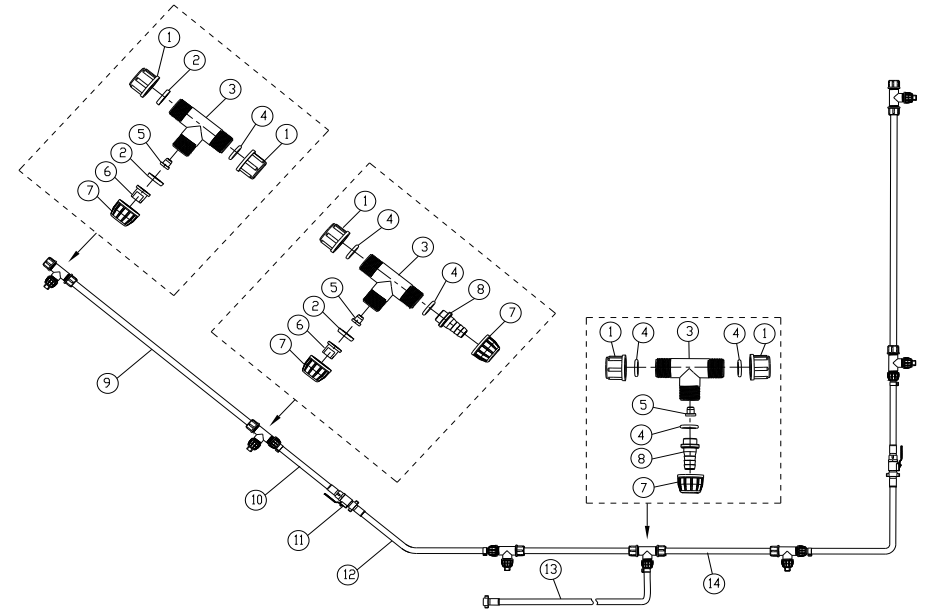


inserts in and locks to mounting Brackets bolted to the bottom of the tank.

WS207G Bill of Materials (BOM)

Parts List				Parts List			
ITEM	QTY	PART NUMBER	DESCRIPTION	ITEM	QTY	PART NUMBER	DESCRIPTION
1	2	WS207G-01	Square cap 25x25mm	12	1	WS207G-12	Foot square pipe 3
2	6	WS207G-02	PM4*35mm screw	13	2	WS207G-13	Foot fix
3	6	WS207G-03	M4 pad	14	4	WS207G-14	M8*55mm screw
4	2	WS207G-04	Side square pipe	15	1	WS207G-15	Right connect
5	14	WS207G-05	M8*40mm screw	16	2	WS207G-16	M5*28mm screw
6	18	WS207G-06	M8 pad	17	18	WS207G-17	M8 nut
7	2	WS207G-07	Spring	18	12	WS207G-18	M4 nut
8	4	WS207G-08	Square cap 20x20mm	19	6	WS207G-19	Pipe support
9	2	WS207G-09	Foot square pipe 1	20	6	WS207G-20	PM4*20mm screw
10	1	WS207G-10	Middle square pipe	21	1	WS207G-21	Left connect
11	2	WS207G-11	Foot square pipe 2				

Exploded Drawing 2:



WS207G Bill of Materials (BOM)

Parts List				Parts List			
ITEM	QTY	PART NUMBER	DESCRIPTION	ITEM	QTY	PART NUMBER	DESCRIPTION
1	10	WS207G-22	Ø3/4" Nut black	8	5	WS207G-29	Ø1/4" Bar
2	8	WS207G-23	Seal gasket	9	2	WS207G-30	Steel pipex60cm black
3	7	WS207G-24	Tree links	10	2	WS207G-31	Ø6mm x 15cm Hose black
4	13	WS207G-25	O-ring	11	2	WS207G-32	Valve body
5	6	WS207G-26	Fixed Pin	12	2	WS207G-33	Ø6mm x 31cm Hose black
6	6	WS207G-27	Spray tip	13	1	WS207G-34	Ø6mm x180cm Hose black
7	11	WS207G-28	Ø3/4" Nut black	14	1	WS207G-35	Steel pipex60cm black