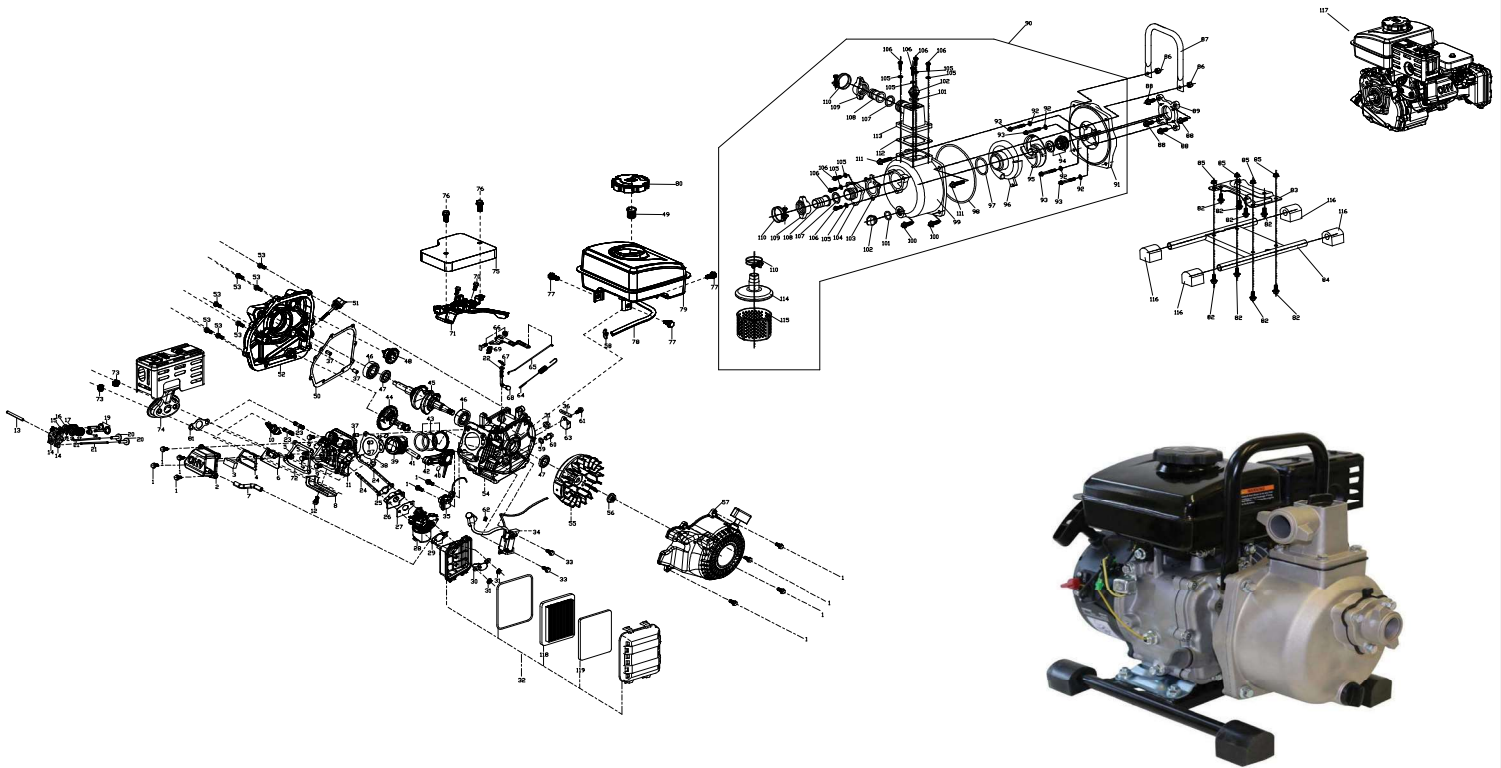
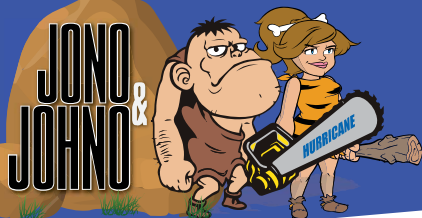


CP361



CP361-001	Hexagon bolt with flange
CP361-002	Cylinder head cover
CP361-003	Engine oil Strainer
CP361-004	PACKING, BREATHER CHAMBER
CP361-005	Hexagon bolt with flange
CP361-006	CAP,BREATHER CHAMBER
CP361-007	Breather tube
CP361-008	air deflector
CP361-009	Hexagon bolt with flange
CP361-010	Spark plug
CP361-011	Cylinder head
CP361-012	Hexagon bolt with flange
CP361-013	Valve rocker shaft
CP361-014	Valve rocker combination
CP361-015	Valve locker
CP361-016	Retainer, valve spring
CP361-017	Inner spring of valve
CP361-018	Valve oil seal
CP361-019	Valve Kit
CP361-020	Lifter, Valve
CP361-021	Push rod
CP361-022	Flat washer
CP361-023	Stud 1
CP361-024	Stud 2
CP361-025	Carburetor gasket
CP361-026	Heat insulating pad for carburetor
CP361-027	Carburetor gasket
CP361-028	Carburetor
CP361-029	Carburetor gasket
CP361-030	Support plate body of filter element

CP361-031	Hexagon nut with flange
CP361-032	Air filter
CP361-033	Hexagon bolt with flange
CP361-034	COIL ASSY.,IGNNTION
CP361-035	Oil level sensor
CP361-036	Cable cleat
CP361-037	ocation pin
CP361-038	Gasket for cylinder head
CP361-039	Piston
CP361-040	Steel cable baffle ring
CP361-041	Piston pin
CP361-042	Connecting rod
CP361-043	Piston ring combination
CP361-044	Camshaft assy
CP361-045	crankshaft
CP361-046	Bearing
CP361-047	Oil seal
CP361-048	Components of governor gear
CP361-049	Pouring orifice filter screen combination
CP361-050	Crankcase cover gasket
CP361-051	Oil rule combination
CP361-052	Crankcase cover
CP361-053	Hexagon bolt with flange
CP361-054	Crankcase body
CP361-055	FLYWHEEL COMP
CP361-056	Hexagon nut with flange
CP361-057	Manual starting assembly
CP361-058	Pipe clip
CP361-059	Flat washer
CP361-060	Sealing plug screw



CP361-061	Hexagon bolt with flange
CP361-062	Location wire nail
CP361-063	Engine oil protector
CP361-064	throttle return spring
CP361-065	Throttle rod
CP361-066	Speed regulating bracket
CP361-067	Pin clip
CP361-068	Speed regulating arm
CP361-069	Governing spring
CP361-070	Hexagon bolt with flange
CP361-071	Throttle handle combination
CP361-072	Gasket for cylinder head cover
CP361-073	Hexagon nut with flange
CP361-074	Muffler
CP361-075	Side plate
CP361-076	Hexagon bolt with flange 1
CP361-077	Hexagon bolt with flange 2
CP361-078	Oil tube
CP361-079	Tank
CP361-080	Tank cover
CP361-081	Outlet gasket
CP361-082	Hexagon bolt with flange
CP361-083	Engine base
CP361-084	Components of frame
CP361-085	Hexagon nut with flange
CP361-086	Hexagon locknut for nonmetal insert
CP361-087	Water pump handle
CP361-088	Hexagon bolt with flange
CP361-089	Water pump coupling
CP361-090	Components of water pump
CP361-091	Support
CP361-092	Support bolt seal washer
CP361-093	Hexagon bolt with flange
CP361-094	Mechanical seal combination
CP361-095	Impeller
CP361-096	Centrifugal chamber
CP361-097	Seal ring 1
CP361-098	Seal ring 2
CP361-099	Pump body
CP361-100	Hexagon bolt with flange
CP361-101	Seal ring 3
CP361-102	Screw plug
CP361-103	Suction valve
CP361-104	Negative pressure frange
CP361-105	Flat washer
CP361-106	Hexagon bolt
CP361-107	Seal ring
CP361-108	TIE-IN , TUBE
CP361-109	Suction pipe joint
CP361-110	Clip combination
CP361-111	Hexagon bolt with flange
CP361-112	Output flange Gasket
CP361-113	Output flange
CP361-114	Intake filter screen cover
CP361-115	Intake filter screen
CP361-116	Frame shock absorbing seat
CP361-117	Engine assembly
CP361-118	Air filter element 1
CP361-119	Air filter element 2

CP361