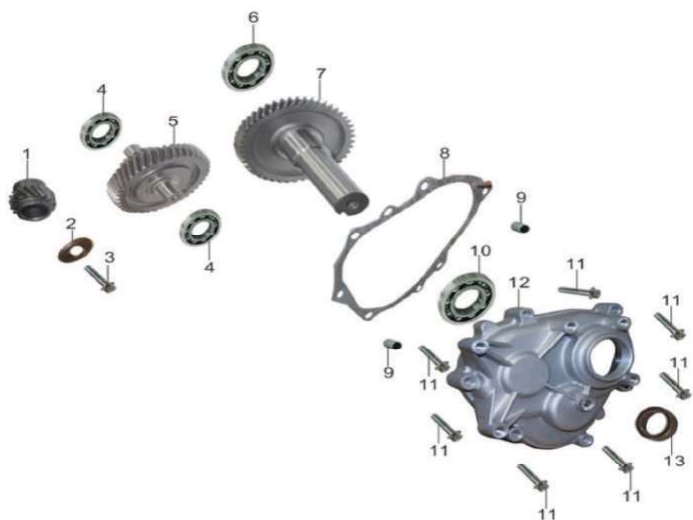


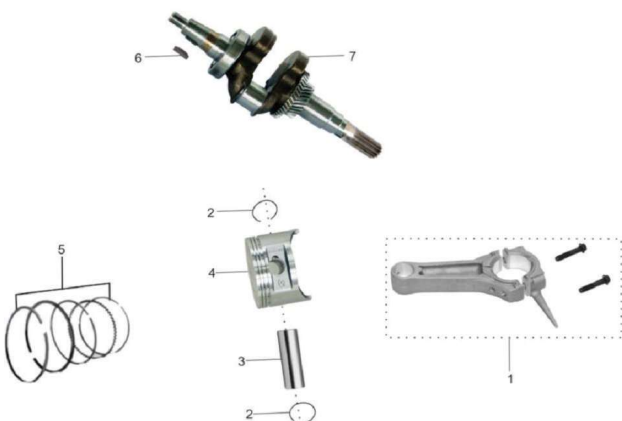
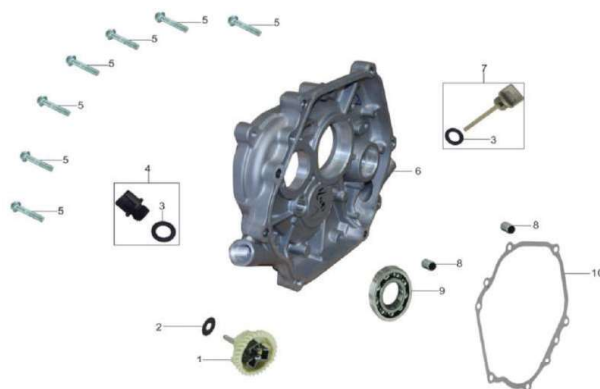


JPE9R6 & JPE9R6ES 9HP HORIZONTAL SHAFT



JPE9R6-R1-1	9hp 6:1 Reduction Gearbox Driving gear
JPE9R6-R1-2	9hp 6:1 Reduction Gearbox end cover, minor sprocket9x29x4
JPE9R6-R1-3	9hp 6:1 Reduction Gearbox Bolt M8x25
JPE9R6-R1-4	9hp 6:1 Reduction Gearbox Bearing 6202
JPE9R6-R1-5	9hp 6:1 Reduction Gearbox Countershaf
JPE9R6-R1-6	9hp 6:1 Reduction Gearbox Bearing 6204
JPE9R6-R1-7	9hp 6:1 Reduction Gearbox Output shaft
JPE9R6-R1-8	9hp 6:1 Reduction Gearbox Gasket.reducer crankcase cover
JPE9R6-R1-9	9hp 6:1 Reduction Gearbox Set pin8x12
JPE9R6-R1-10	9hp 6:1 Reduction Gearbox Bearing 6206
JPE9R6-R1-11	9hp 6:1 Reduction Gearbox Bolt M8x35
JPE9R6-R1-12	9hp 6:1 Reduction Gearbox Reducer crankcase cover
JPE9R6-R1-13	9hp 6:1 Reduction Gearbox Oil seal of crankshaft30x46x8

JPE9R6-R2-1	9hp 6:1 Reduction Gearbox Driven gear, regulator assy
JPE9R6-R2-2	9hp 6:1 Reduction Gearbox Washer
JPE9R6-R2-3	9hp 6:1 Reduction Gearbox Seal
JPE9R6-R2-4	9hp 6:1 Reduction Gearbox 9hp 6:1 Reduction Gearbox Oil plug with Seal
JPE9R6-R2-5	9hp 6:1 Reduction Gearbox Bolt M8x35
JPE9R6-R2-6	9hp 6:1 Reduction Gearbox 9hp 6:1 Reduction Gearbox Crankcase cover
JPE9R6-R2-7	9hp 6:1 Reduction Gearbox Dipstick with seal
JPE9R6-R2-8	9hp 6:1 Reduction Gearbox Set pin8x12
JPE9R6-R2-9	9hp 6:1 Reduction Gearbox Bearing6206 GB/T276
JPE9R6-R2-10	9hp 6:1 Reduction Gearbox Gasket, crankcase



JPE9R6-R3-1	Connect rod assy
JPE9R6-R3-2	Piston pin circlip
JPE9R6-R3-3	Piston pin
JPE9R6-R3-4	Piston
JPE9R6-R3-5	Piston ring set
JPE9R6-R3-6	Woodruff key
JPE9R6-R3-7	Crankshaft assy